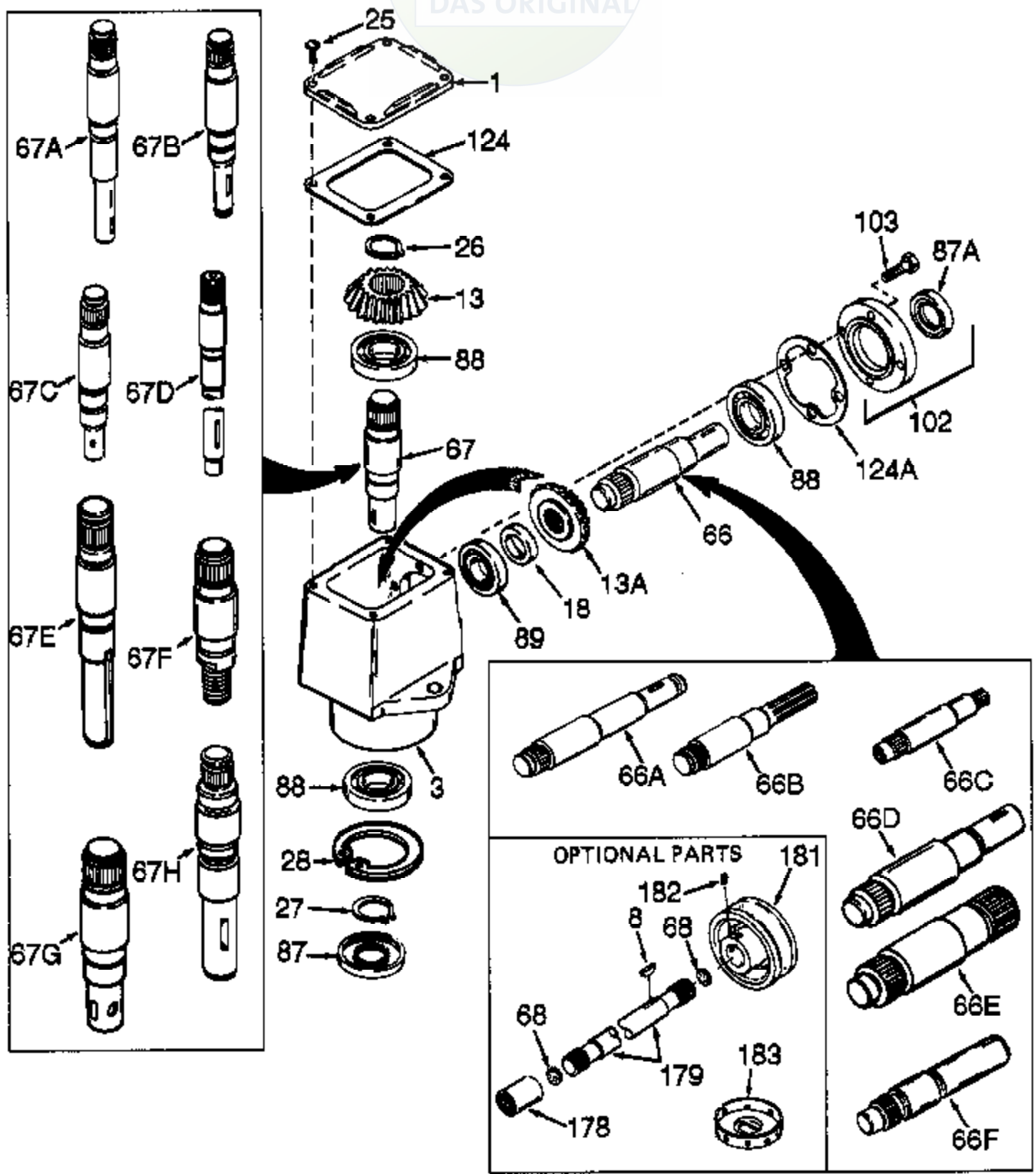


ILLUSTRATION SHOWS TYPICAL PARTS ONLY. ORDER BY PART NUMBER. PARTS NOT LISTED ARE SUPPLIED BY OEM.





| Ref # | Part Number | Qty | Description |
|-------|-------------|----------|---------------------------------------|
| 1 | 772035 | | Left Hand Cover |
| 3 | 770026A | | Right Angle Drive Housing |
| 8 | 792057 | | Key (With lug extensions) |
| 8 | 792047 | | Woodruff Key #9 |
| 13 | 778046 | | Miter Gear (22 teeth)(7/8" ID) |
| 13A | 778046 | | Miter Gear (22 teeth)(7/8" ID) |
| 25 | 792025 | | Screw, 10-24 x 1/2" |
| 26 | 788018 | | Snap Ring |
| 27 | 788019 | | Snap Ring |
| 66A | 776188 | | Input Shaft (5-1/64" long) |
| 67C | 776187 | | Output Shaft (4-1/8" long) |
| 68 | 788039 | | Felt Disc |
| 87 | 788029 | | Oil Seal |
| 87A | 788031 | Peerless | Oil Seal |
| 88 | 780034 | | Ball Bearing |
| 89 | 780024 | | Ball Bearing |
| 102 | 786029 | | Retainer Cap & Seal (Incl. 87A & 103) |
| 103 | 792026 | | Screw, 1/4-20 x 7/8" |
| 124A | 788030B | | Cap Gasket |
| 124 | 788028 | | Cover Gasket |
| 177A | XXXXX | | (Not included with head assembly.) |
| 177 | XXXXX | | THE FOLLOWING ARE OPTIONAL PARTS: |
| 178 | 786028 | | Coupling (1-1/2" long) |
| 178 | 786031 | | Coupling (1-5/16" long) |
| 179 | XXXXX | | Input Connector Shaft |
| 181 | 786030 | | Sheave (3-1/4" Dia.) |
| 181 | 786059 | | Sheave (4" Dia.) |
| 182 | 792027 | | Set Screw, 5/16-24 x 1/4 |
| 183 | 786044 | | Shield |

RAD-3373-PEERLESS Page 2 of 2